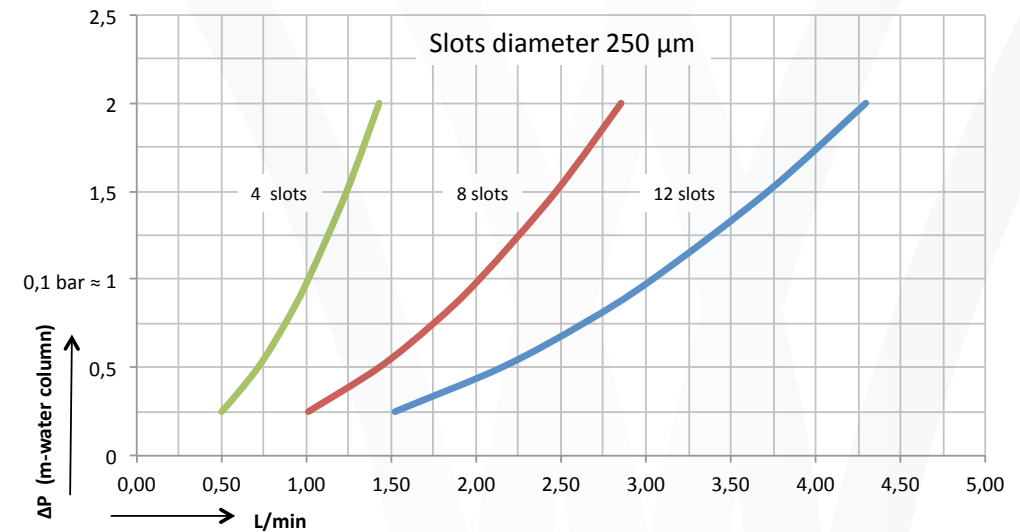
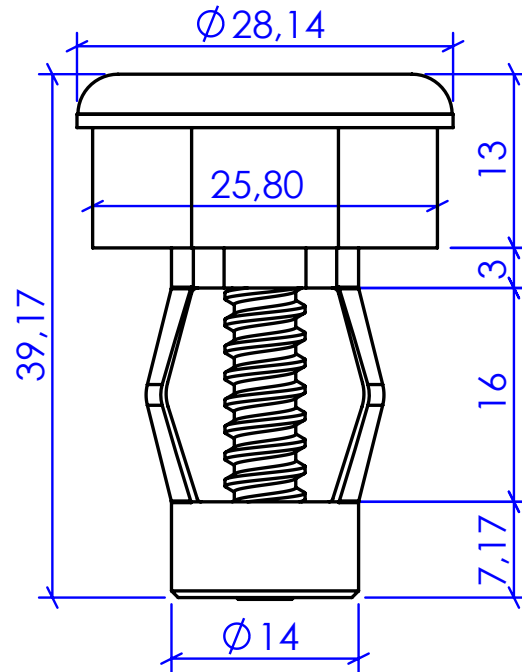


## Self gripping filtering mini-nozzles 250 µm wide slots



### Characteristics

- 4, 8 or 12 slots 250 µm wide
- Made of Polybutylene terephthalate (PBT)
- Resistant to solvents
- Shrinks very little during forming
- Heat-resistant up to 150 °C
- Drinking water safe
- PBT screw included
- Tensile strength until screw failure: 350 N
- Elongation until screw failure: 10 mm

